

TF Ultra™ Dispenser

PRODUCT DESCRIPTION

Attractively designed, power efficient touch free dispensing system for use with SC Johnson Professional foaming hand hygiene products.

WHERE TO USE

Suitable for use in any public facility washroom. Also, ideal for use in hallways, office and reception / lobby areas in conjunction with InstantFOAM™ hand sanitizer and dispenser stand.

METHOD OF USE

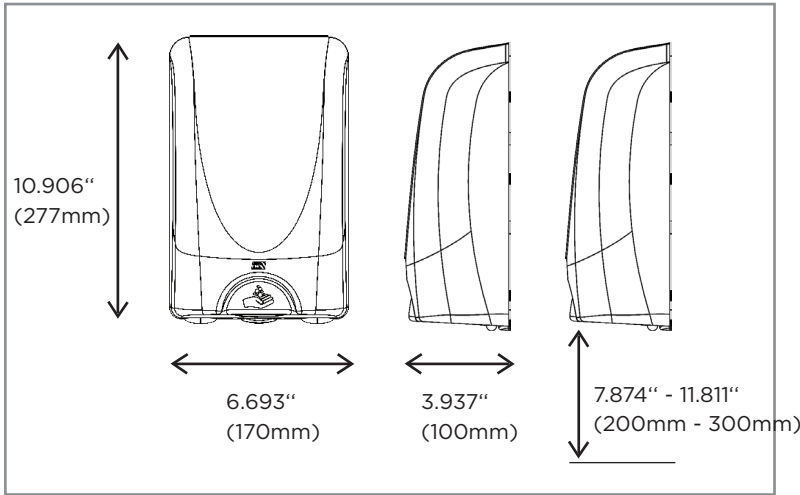
Simply hold hand under dispenser to activate. No touch required.



FEATURES	BENEFITS
'Touch Free' Dispenser	Encourages use and minimizes any risk of cross-contamination.
Versatile	Can be used on walls in washrooms, corridors and hallways or on SC Johnson Professional's free-standing stand.
Exceptionally Long Battery Life	The power provided by 4 D-Cell batteries will provide up to 5 years of operation in typical usage conditions.
Reliable	Uses the latest infrared sensing technology for reliable operation to prevent misfiring.
Large Capacity	Cartridges contain 1.2 liter of foam hand wash product providing approximately 1,715 applications and 1 liter of InstantFOAM™ alcohol hand sanitizer providing 1,430 applications.
Color Options	Available in a range of colors to match different decor environments.
Lock and Keyless Option	For maximum security the dispenser can be locked and opened with the special key provided; alternatively, it can be easily converted to a keyless, non-locking operation.
Optional Catch Tray	Optional catch tray can be integrated to prevent product landing on floors if dispenser is accidentally activated or misused.



TF Ultra™ Dispenser



DIMENSIONS

- 6.693" wide x 3.937" deep x 10.906" high
- Gross weight: 6.4lb (complete with batteries and cartridge)
- Ensure unit is located with appropriate space to each side and below

- Requires the use of 4 high quality Alkaline D-Cell batteries to maximize units operating time
- Fully ADA compliant
- WEEE regulation compliant
- ROHS directive compliant
- DO clean with a damp cloth
- DO NOT hose down or spray with water
- DO NOT use abrasive cleaners
- DO NOT use solvent-based cleaners
- DO NOT use caustic or acid-based cleaners

LIFETIME GUARANTEE

Malfunctioning or broken dispensers through normal wear and tear while using SC Johnson Professional products will either be repaired or replaced at no charge.

PACK SIZES

DISPENSER	CASE QTY	CARTRIDGE CAPACITY	TO USE WITH
TouchFREE Ultra	8	1 Liter / 1.2 Liter	CLR120TF, AZU120TF, RFW120TF, AGB120TF, ANT120TF, IFS1TF, IFC1TF, AFS120TF

SC Johnson Professional
2815 Coliseum Centre Dr. #600
Charlotte, North Carolina, 28217
Telephone: 800 248 7190
www.scjp.com

This information and all further technical advice is based upon our present knowledge and experience. However, it implies no liability or other legal responsibility on our part, including with regard to existing third party intellectual property rights, especially patent rights. In particular, no warranty, whether express or implied, or guarantee of product properties in the legal sense is intended or implied. We reserve the right to make any changes according to technological progress or further developments.

SC Johnson
PROFESSIONAL®
A Family Company™